

AXOR Starck
Single lever bath mixer for concealed installation with lever handle
 Surfaces: **Chrome** Article Number: **10414000**



Description

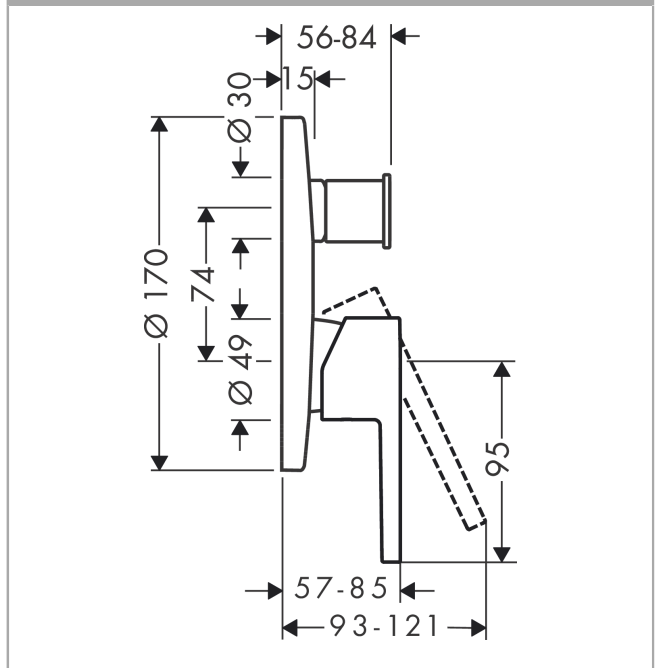
product features

- connection type: basic set
- flow rate at 3 bar: 26 l/min
- ceramic cartridge
- temperature limitation adjustable
- with automatic resetting
- suitable for continuous flow water heaters
- matching handle design for the AXOR Starck basin mixers with lever handles

Product image



Scale drawing



Flowchart

